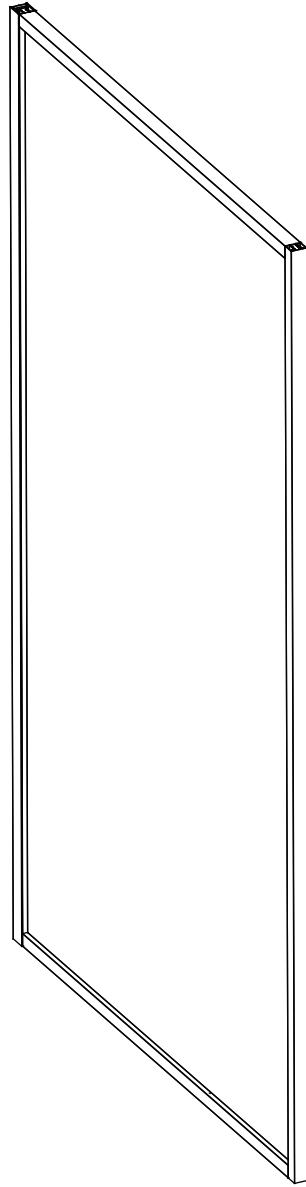


BLACK FRAMED MB0

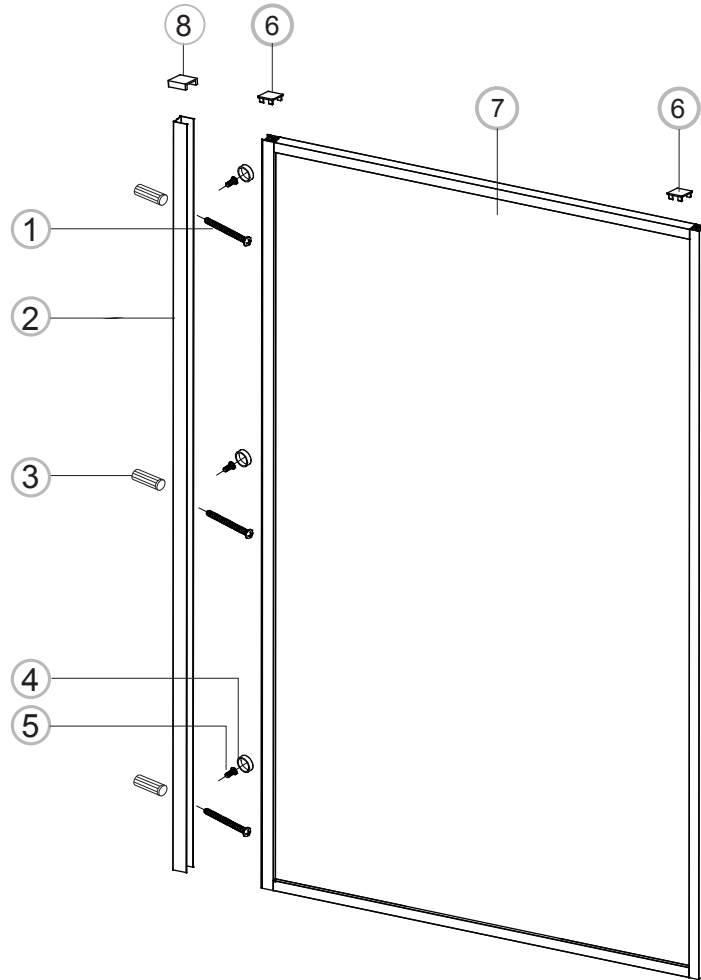


INSTALLATION INSTRUCTIONS

Guide d'installation Installstionsanleitung Installatiehandleiding

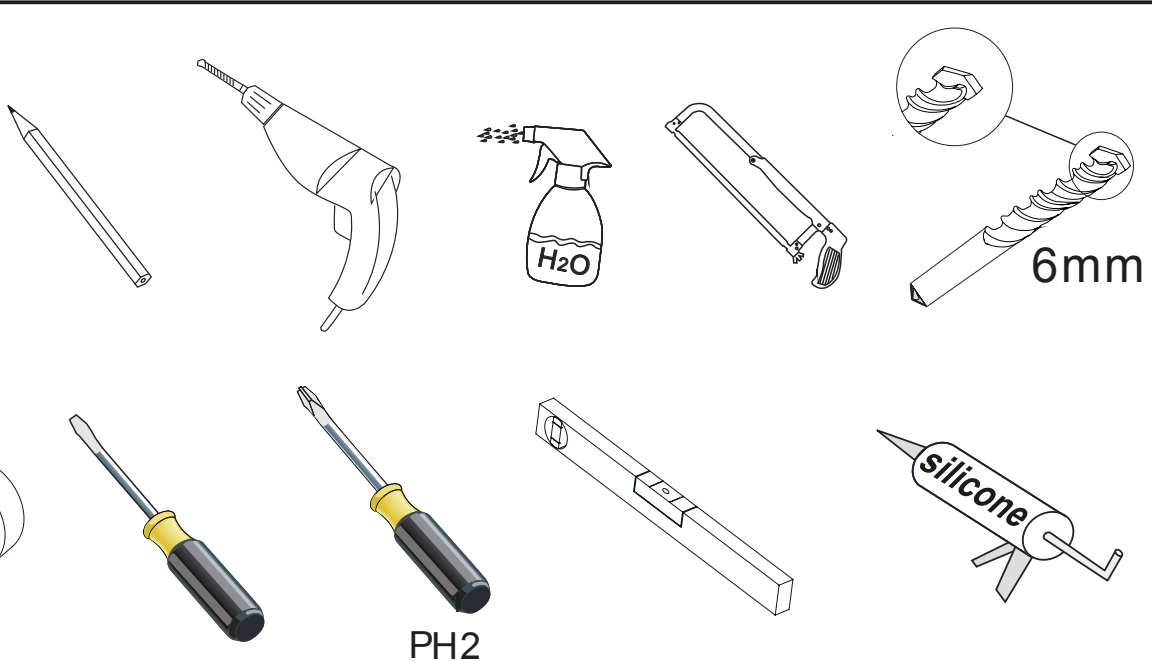
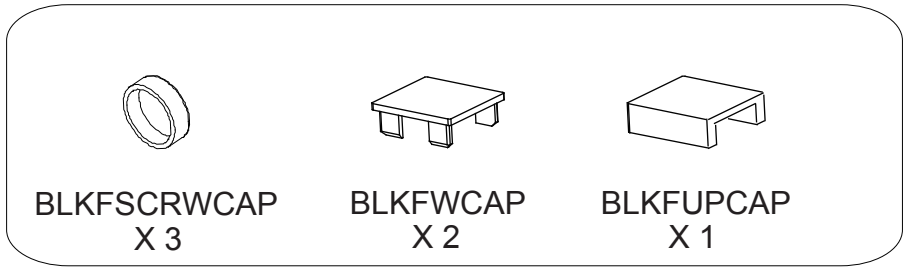
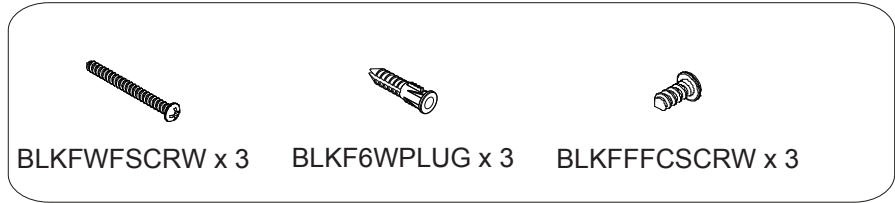
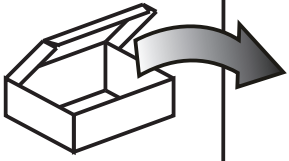
If you install the product in a way that differs from this manual this will void all guarantees. Before installation check that the product meets all your requirements and is not damaged. By proceeding with installation, you accept the condition of the product. The wall plugs supplied with the installation kit are for use in solid walls. Hollow or 'stud partition' walls will require alternative fixings. Please consult your local hardware supplier for the correct type.

Size	Adjustment
800	785-800



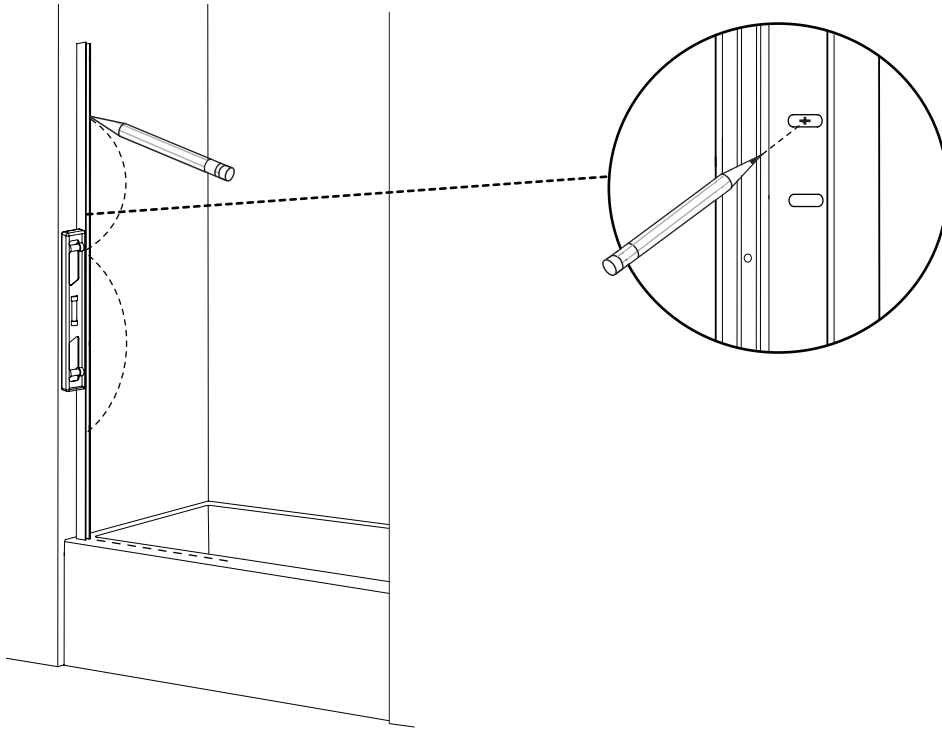
No.	Qty	Part No.
1	3	BLKFWFSCRW
2	1	BLKFSWP
3	3	BLKF6WPLUG
4	3	BLKFSCRWCAP

No.	Qty	Part No.
5	3	BLKFFFCSCRW
6	2	BLKFWPCAP
7	1	A
8	1	BLKFUPCAP

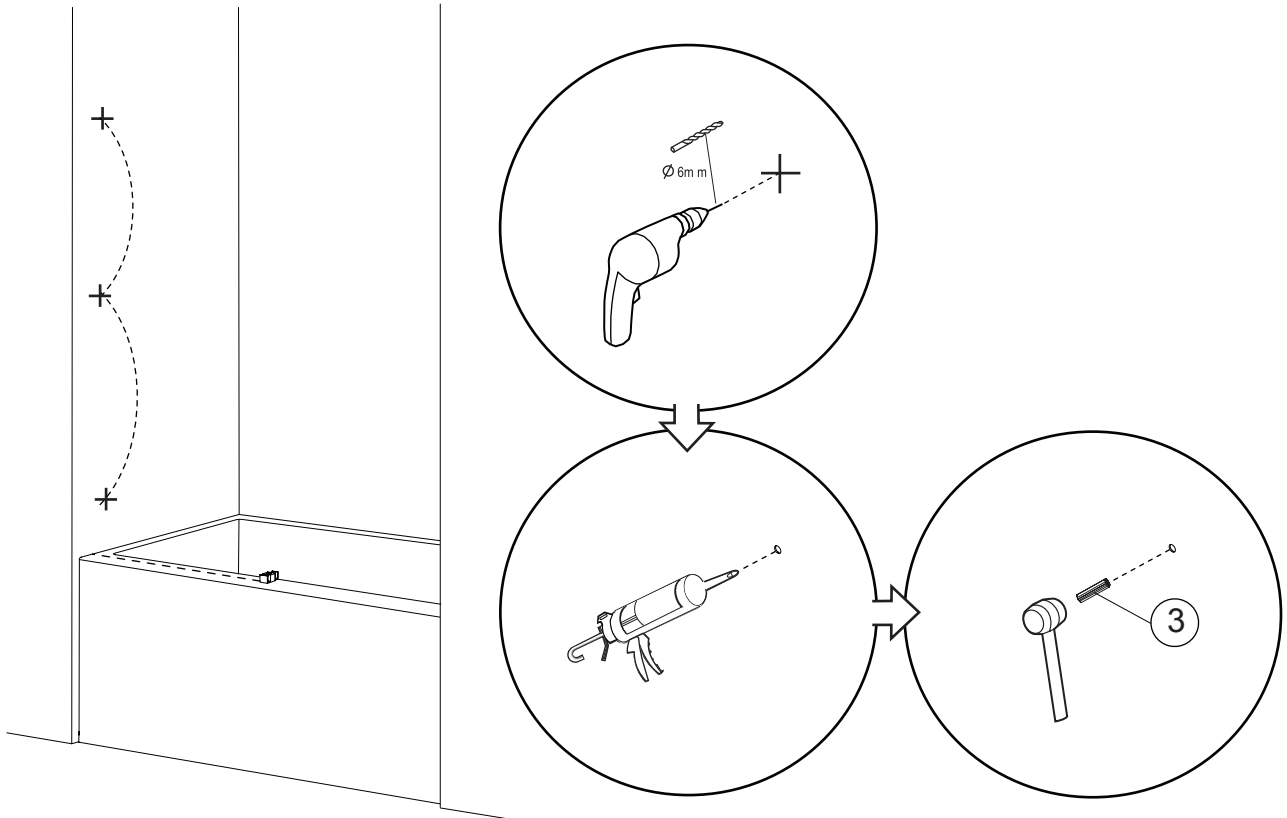


Installation Steps

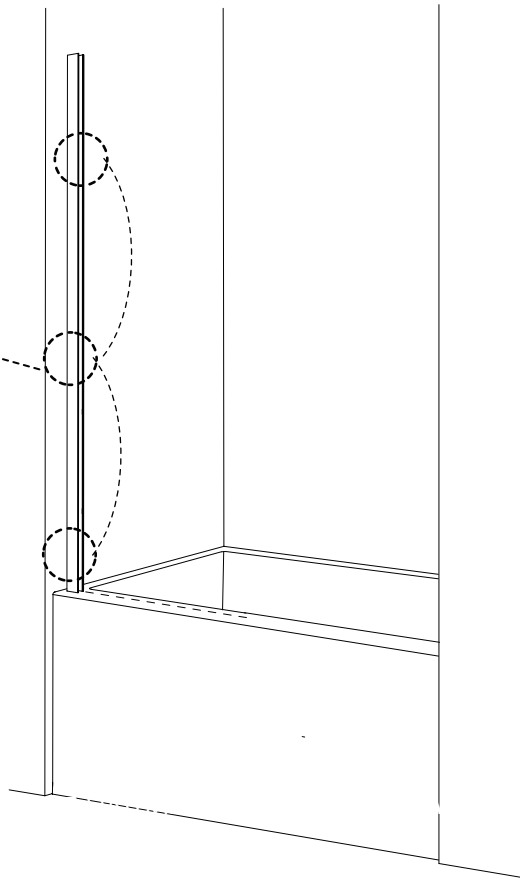
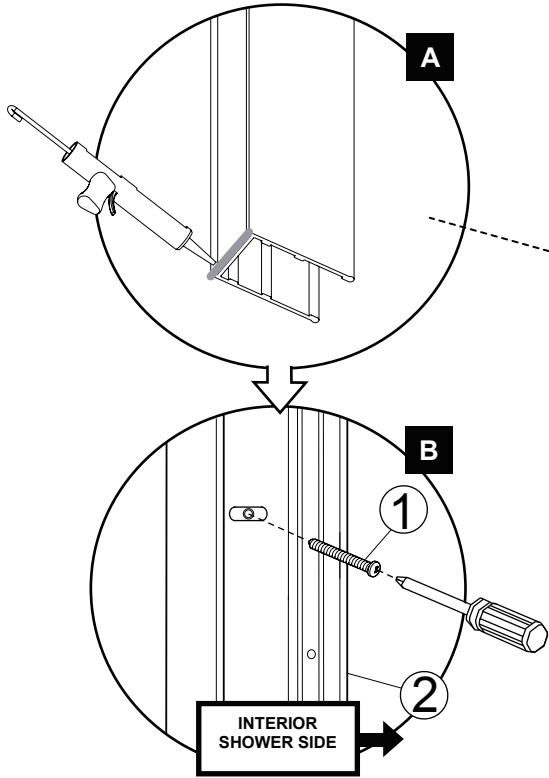
Mark the wall profile screw hole locations on the wall.



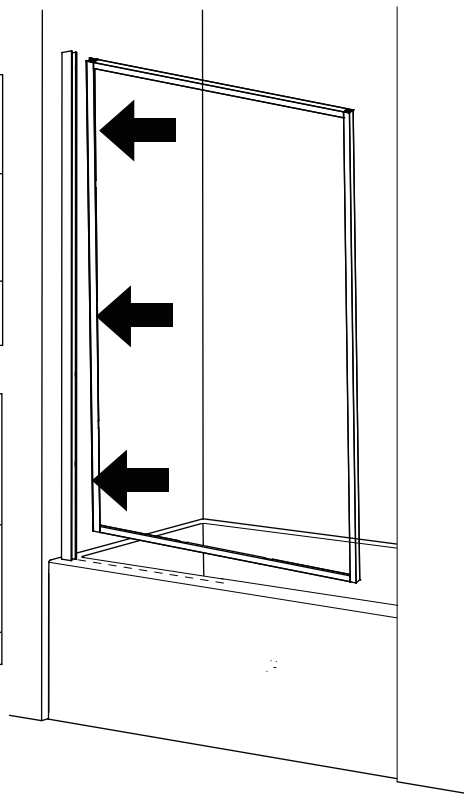
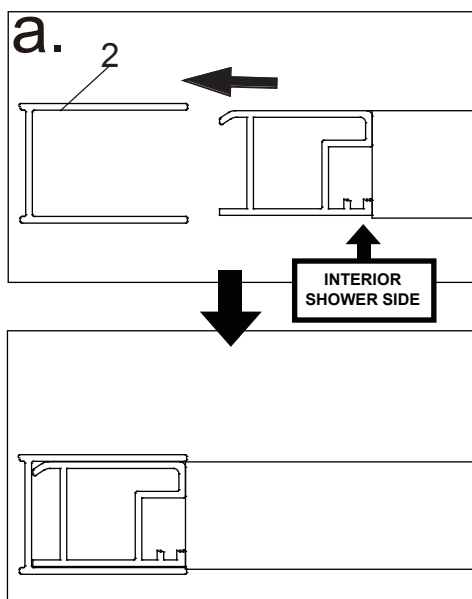
Drill the wall using 3 wall fixings



GWfYnci 'kU''dfcZ'Yfc'H YkU''i g]b['H YkU''Zl]b['gWYk g"



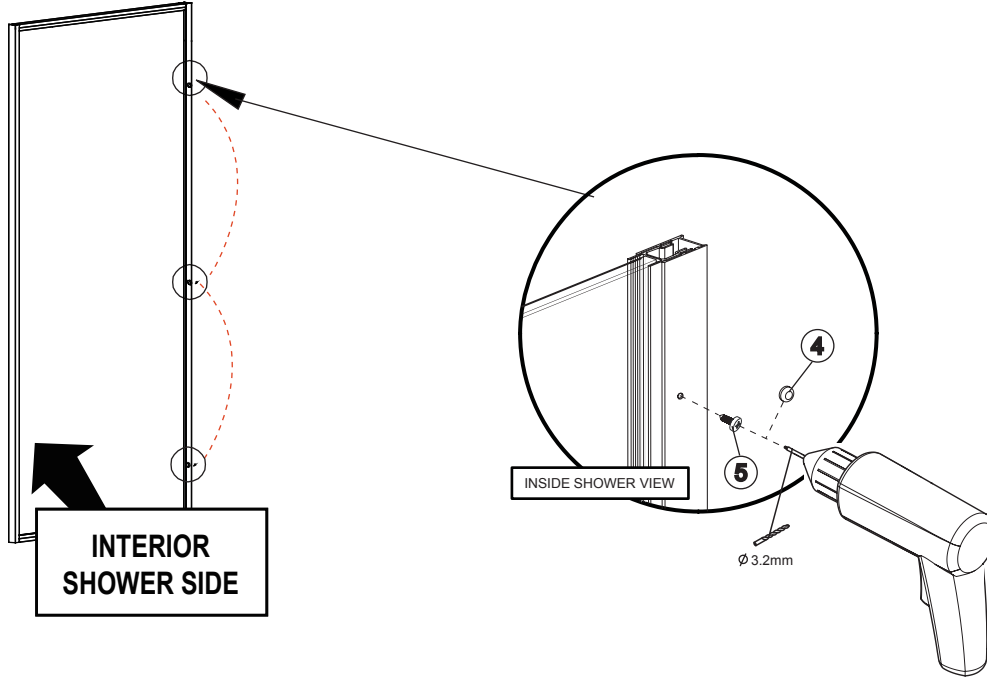
3



4

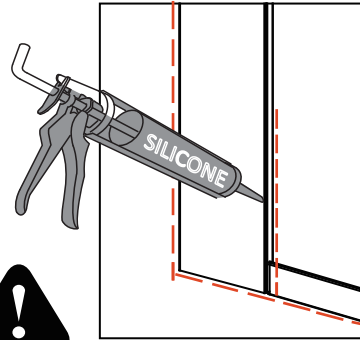
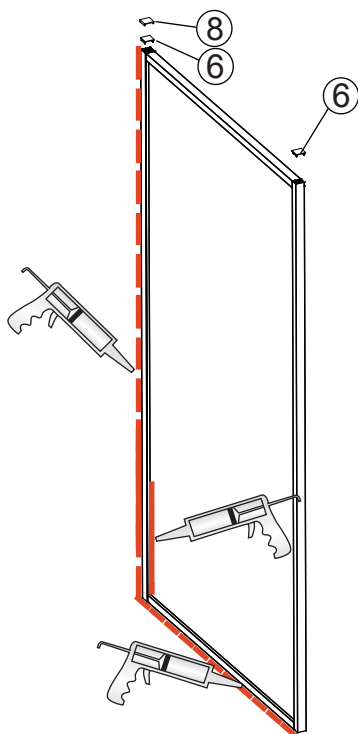
Adjust the shower enclosure

Adjust the level. Drill 3 equally spaced holes along the length of the wall profile to secure the shower wall.



6

Seal the shower unit



All sealant should be applied to the outside. Seal top to bottom between the wall profile and the wall. Seal the bottom between the tray/floor and the glass/rail/profile and approx. 50mm vertically between the wall profile and the glass.



Allow 24 hours for silicone to dry before use.

7

	
Merlyn Industries Ltd (MER13)	
CEBSW1.1	
18	
EN 14428	
Shower enclosures with aluminium profiles and safety glass	
Cleanability	: Pass
Impact resistance/ shatter properties	: Pass
Durability	: Pass

To download the Declaration of Performance (DOP) for this product please use the link below.

<http://merlynshowering.com/aftersales-support/dop-certs/>

For further information please contact IRL: 056 7791 555, UK: 08081011429